



Aluminium windows & doors

SLIDING SYSTEMS

T H E R M A L B R E A K

SCHÜCO



SLIDE INTO OUR WORLD OF EXCELLENCE

ROPEAN QUALITY
OR PERFECTION
MINIUM SYSTEMS
ROPEAN QUALITY
OR PERFECTION
MINIUM SYSTEMS
ROPEAN QUALITY
OR PERFECTION
MINIUM SYSTEMS

INNOVATIVE - CERTIFIED EUROPEAN ALUMINIUM SYSTEMS
PREMIUM QUALITY - LUXURY - ULTIMATE EUROPEAN QUALITY
THE HOME OF EXCELLENCE - STRIVE FOR PERFECTION
INNOVATIVE - CERTIFIED EUROPEAN ALUMINIUM SYSTEMS
PREMIUM QUALITY - LUXURY - ULTIMATE EUROPEAN QUALITY
THE HOME OF EXCELLENCE - STRIVE FOR PERFECTION
INNOVATIVE - CERTIFIED EUROPEAN ALUMINIUM SYSTEMS
PREMIUM QUALITY - LUXURY - ULTIMATE EUROPEAN QUALITY
THE HOME OF EXCELLENCE - STRIVE FOR PERFECTION
INNOVATIVE - CERTIFIED EUROPEAN ALUMINIUM SYSTEMS
PREMIUM QUALITY - LUXURY - ULTIMATE EUROPEAN QUALITY
THE HOME OF EXCELLENCE - STRIVE FOR PERFECTION
INNOVATIVE - CERTIFIED EUROPEAN ALUMINIUM SYSTEMS
PREMIUM QUALITY - LUXURY - ULTIMATE EUROPEAN QUALITY
THE HOME OF EXCELLENCE - STRIVE FOR PERFECTION



Aluminium windows & doors



WE ARE THE BENCHMARK



Introducing the Schuco ASE 55 sliding system, a groundbreaking innovation that redefines industry benchmarks in both quality and performance. Meticulously crafted with a zero-level threshold profile and minimal interlocking profiles, this system embodies a perfect fusion of sophistication and user-friendly design. Streamlining components not only enhances the manufacturing reliability but also elevates the system's overall elegance.

Engineered with precision, the Schuco ASE 55 boasts an innovative drainage system and enhanced sealing properties, positioning it as a frontrunner in its category. Meanwhile, the ASS 70 FD system excels in creating expansive ambient spaces, offering unparalleled design freedom. With its thermal break features and top-tier accessories, this system guarantees a peaceful night's sleep, providing confidence in both durability and performance.

Both systems share remarkable thermal properties, paving the way for your home to achieve the energy efficiency you aspire to. Experience a new era in sliding systems where style seamlessly integrates with functionality, setting a standard of excellence in the industry.



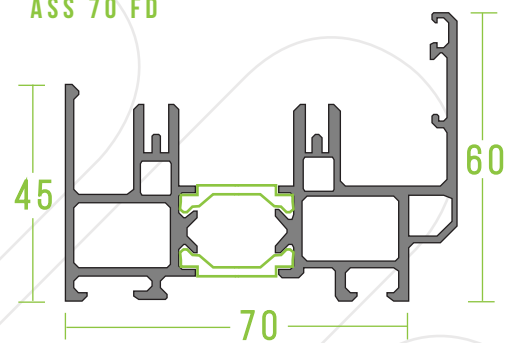
ASS 70 FD

TECHNICAL CHARACTERISTICS

- Casement of system
- Basic width of frame and sash
- Glass thickness
- Maximum weight of sash
- Dimension of leaf connection

70mm
147mm
24mm - 46mm
100kg
119mm

SLIDING/FOLDING TRACK DIMENSIONS
ASS 70 FD



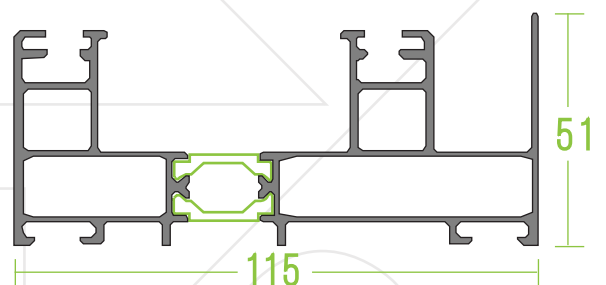
ASE 55

TECHNICAL CHARACTERISTICS

- Casement of system
- Basic width of frame and sash
- Glass thickness
- Maximum weight of sash
- Maximum weight with Lift and Slide
- Interlocker thickness

55mm
123mm
Up to 38mm
200kg
250kg
43mm

SLIDING TRACK DIMENSIONS
ASE 55 - DOUBLE TRACK



DEPTH OF ASE 55 SLIDING TRACKS

D: 115 mm T: 185 mm

*Drawings are for illustrative purposes only



CERTIFICATES FOR ASE 55

Air permeability BS EN 1026 **Class 4**

Windload resistance BS EN 12211 **Class C5**

Watertightness BS EN 1027 **E900**



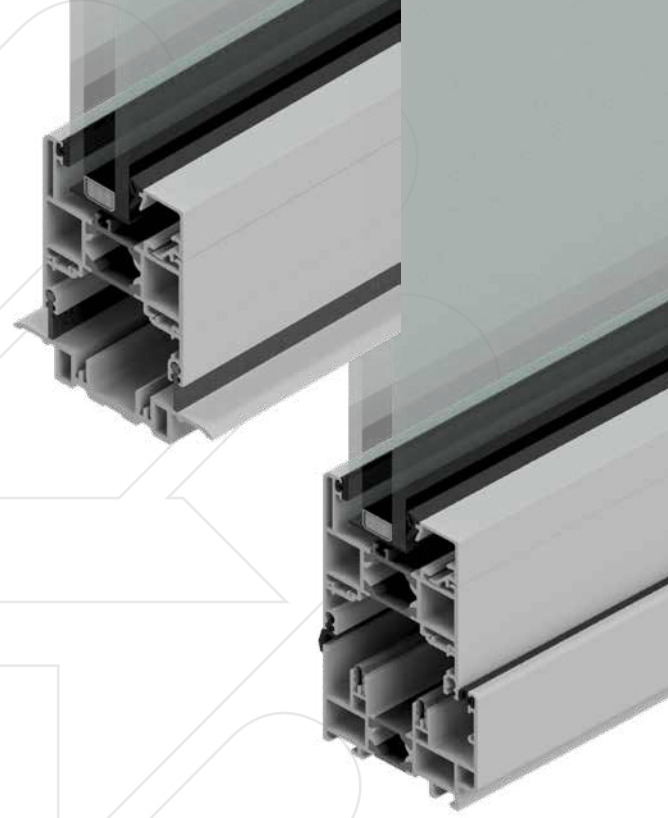
CERTIFICATES FOR ASS 70 FD

Air permeability DIN EN 12207 **Class 3**

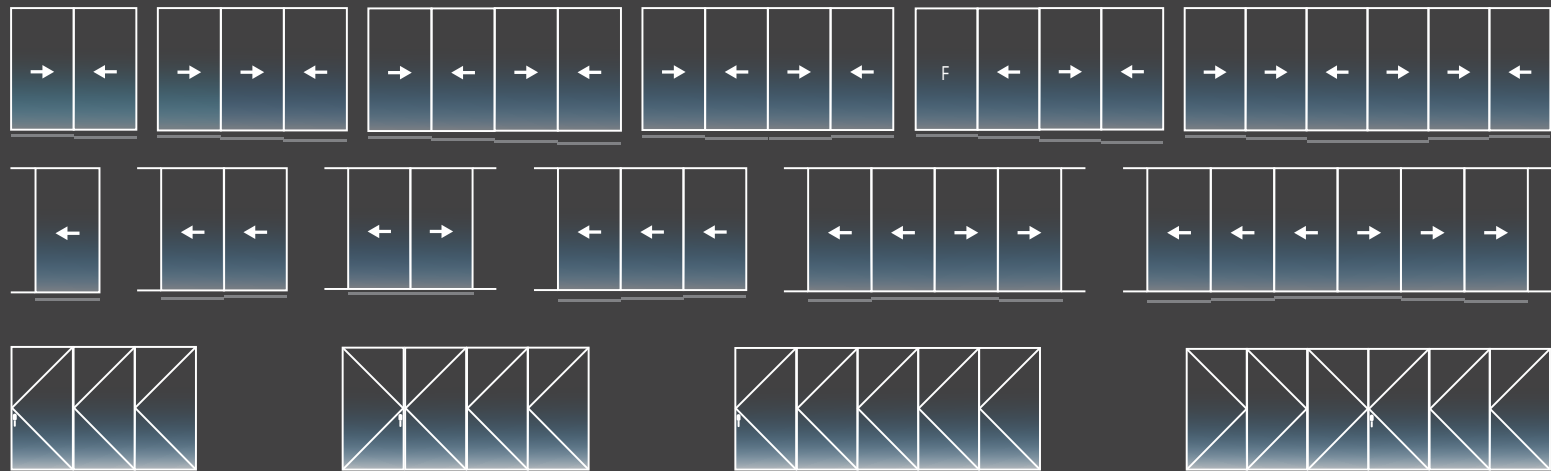
Windload resistance DIN EN 12210 **B3/C3**

Watertightness DIN EN 12208 **8A/9A**

Burglar resistance DIN EN 1627 **RC2**



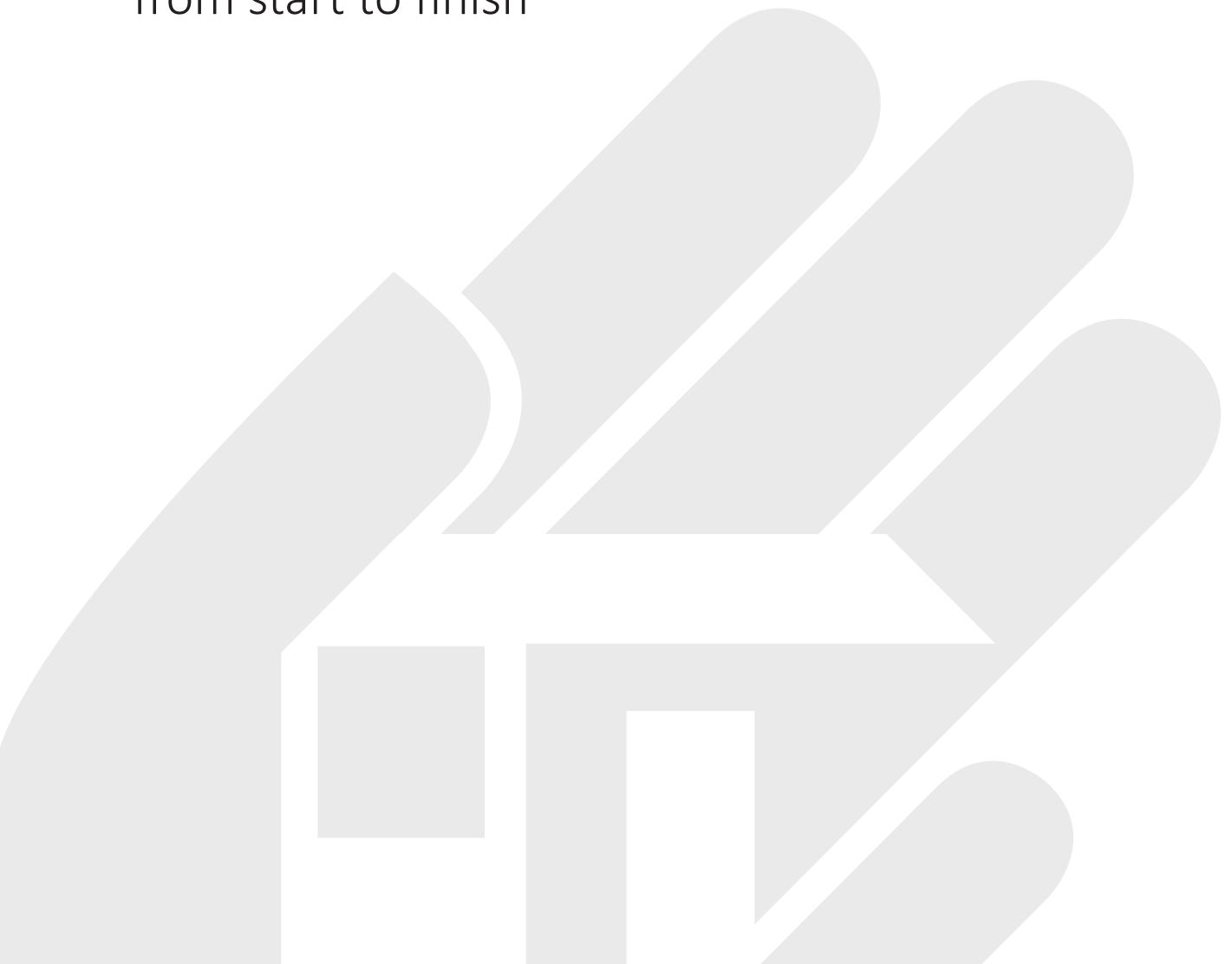
TYPOLOGIES GUIDE



OUR VISION IS TO



- Be the benchmark against which innovation, quality and style the industry is measured
- Be the best by far at what we do
- Produce the highest quality from start to finish





VISIT OUR SHOWROOMS

JOHANNESBURG

37 Old Kilcullen Road, Bryanston
Johannesburg
T: 011 796 5165
www.fenster.co.za
info@fenster.co.za

GEORGE

52 York Street, George
Western Cape
T: 044 220 4444
www.fenster.co.za
info@fenster.co.za

CAPE TOWN

62 Marine Drive, (Service Road), Paarden Eiland
Cape Town
T: 021 510 0921
www.fenster.co.za
info@fenster.co.za